


DESCRIPTION

- Metal construction with various finishes identified by suffix

OPERATION

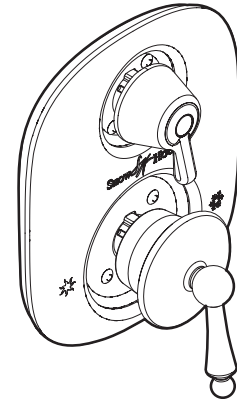
- Pull-on/push-off operation of temperature and volume, rotational control of transfer valve
- Temperature operates through an 180° arc of handle travel (full cold to full hot)
- Adjustable temperature limit stop to control maximum hot water temperature
- 180° rotation of transfer valve handle with stops
- Pressure balancing mechanism maintains selected discharge temperature to $\pm 3.6^{\circ}\text{F}$ ($\pm 2^{\circ}\text{C}$)

STANDARDS

- Third party certified to ASME A112.18.1/CSA B125.1
- ADA  for lever handles

WARRANTY

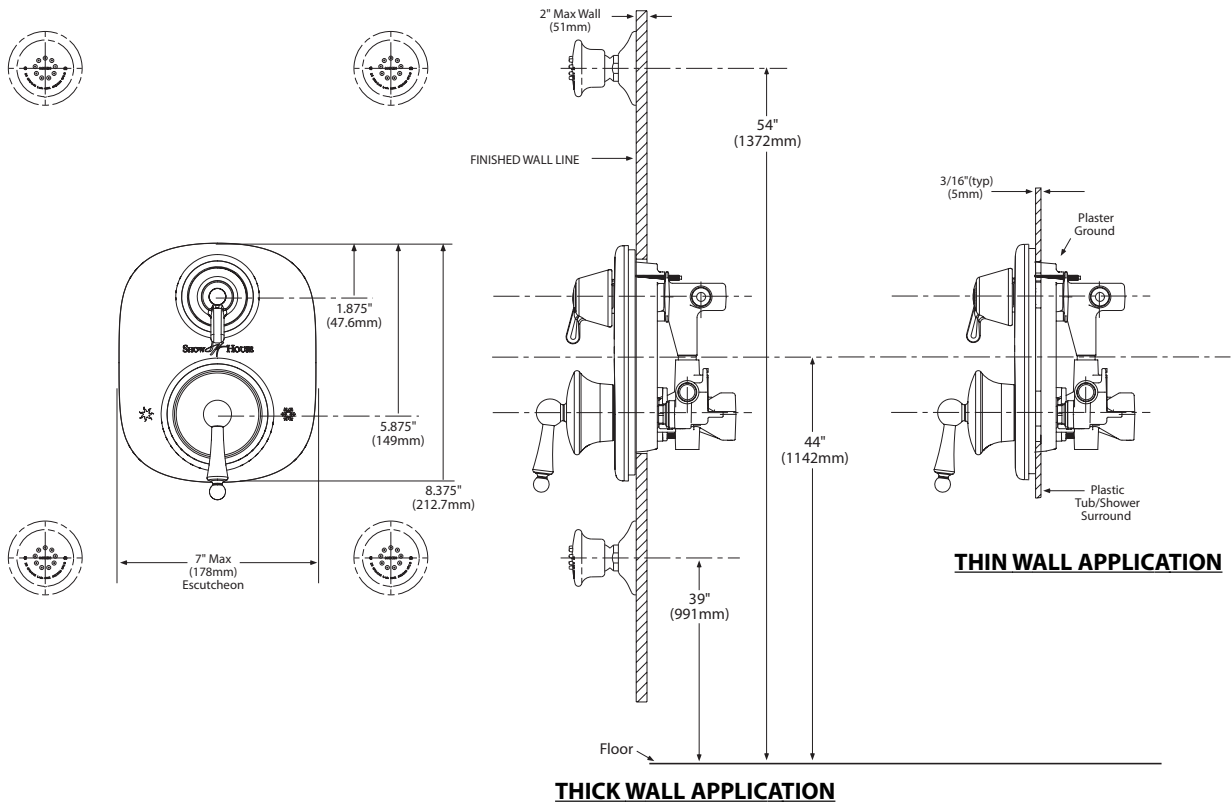
- Lifetime limited warranty against leaks, drips and finish defects to the original consumer purchaser
- 5 year warranty if used in commercial installations



WATERHILL® MOENTROL®
with Built-In 3 Function Transfer Valve Trim

Models: TS513series

Valve: S955



CRITICAL DIMENSIONS

(DO NOT SCALE)